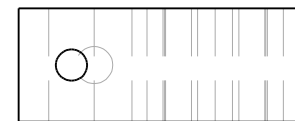
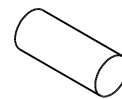
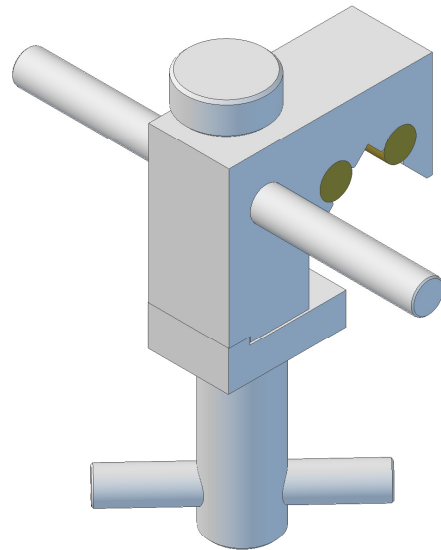


Make Smaller & Adjust To Fit
After Pins Are Fitted



Saddle Stop Body - Modification
Read In Conjunction With Sheet 1



Pin - 2off Brass
Ø6 x 15

This Will Need To Be Fitted To Your Lathe Bed
Check Dimensions Carefully