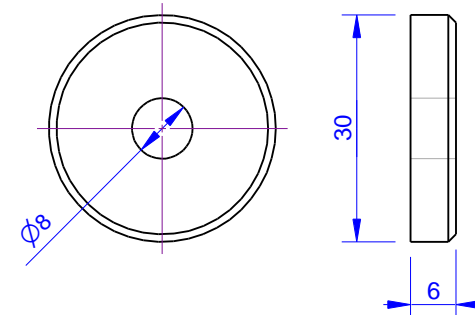


Section A-A

Clamp Plate

Material - M.S.
 All Measurements - mm
 Check Dimensions With Your Lathe



Mounting Stud
 & Clamp Washer

