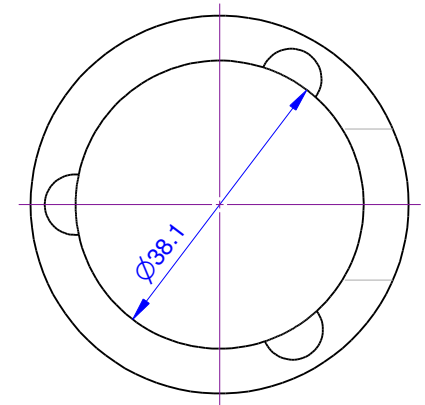
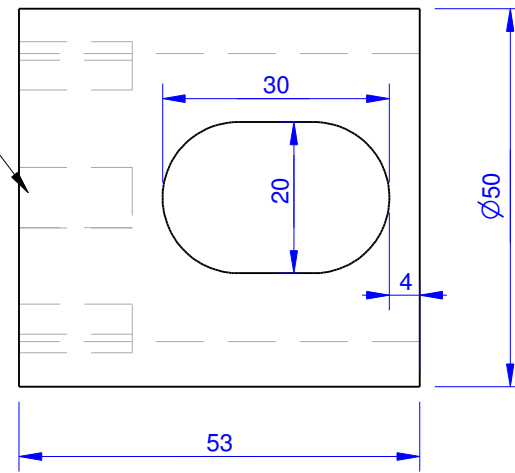


3 pockets  $\varnothing 8 \times 15$  deep  
to clear bolt heads adjust  
radial position to suit R.T.



Adjust Tube Length To Suit  
Motor Spindle / Coupling / R.T.

PCD To Match R.T.

